

# TECHNISCHE DATEN

PAVER

BF 200 C-2



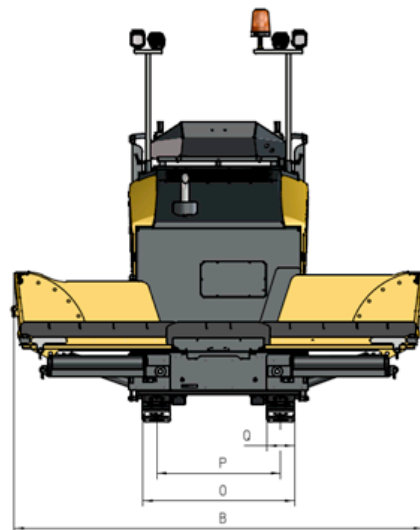
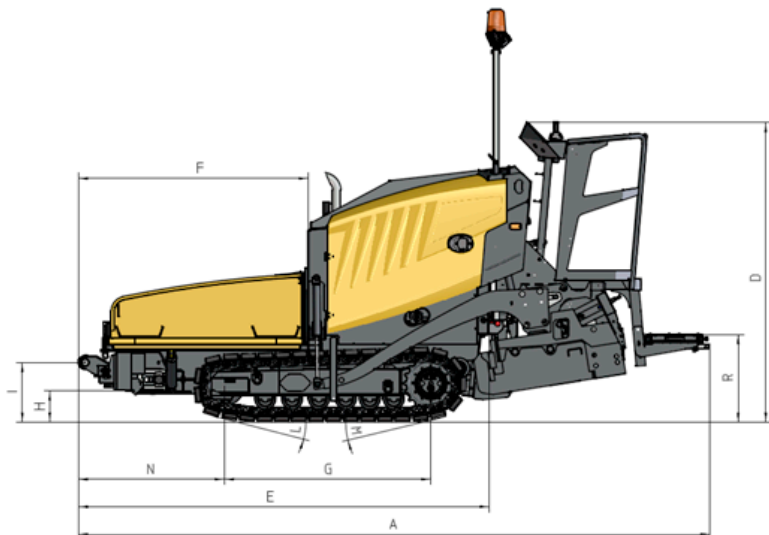
Greatest durability



Shorter set-up times



Exemplary efficiency



**Dimensions in mm**

	A	B	D	E	F	G	H	I	L	M	N	O	P	Q	R
<b>BF 200 C-2</b>	4600	2980	1995-2195	2986	1671	1500	228	433	14°	14°	1061	1100	900	200	458-658



Two level platform concept - best view without compromises.



Compact and agile - unique recipe for full flexibility.



Save up to 20 % fuel – demand-driven hydraulics – with BOMAG ECOMODE.



Heats up nearly 60 % quicker – unique MAGMALIFE heating system.

## Technical Data

## BOMAG BF 200 C-2

### Weights

Operating weight CECE ..... kg 6000

### Dimensions

Transport length ..... mm 4270

Transport width ..... mm 1300

Transport height ..... mm 1995

### Travel characteristics

Travel speed ..... km/h 0-4,5 variable

Working speed ..... m/min 0-29 variable

### Drive

Engine manufacturer ..... Kubota

Type ..... V3307-CR

Emission stage ..... Stage V / TIER4f

Cooling ..... liquid

Number of cylinders /Displacement ..... cm<sup>3</sup> 4 / 3330

Performance ..... kW / hp 54,6 / 73,2

Speed ..... min<sup>-1</sup> 2250

Performance ECOMODE (1.570 min<sup>-1</sup>) ..... kW / hp 43,3 / 58,9

Performance ECOMODE (1.800 min<sup>-1</sup>) ..... kW / hp 48,6 / 66,1

### Hopper

Capacity ..... m<sup>3</sup> 2,0

Width (wings open)..... mm 2980

Width (wings close) ..... mm 1300

Length ..... mm 1400

Filling height (middle) ..... mm 433

### Conveyor

Number..... 1

Rotary speed..... m/min 33

Individual control ..... no

Reversing operation ..... Standard

### Auger

Number..... 2

Auger diameter ..... mm 300

Rotary speed..... min<sup>-1</sup> 87

Reversing operation ..... Standard

### Screed

Basic width retracted ..... mm 1100

Basic width extended..... mm 2000

Min. width with reduction skids ..... mm 400

Mat thickness ..... mm 200

Screed plate depth..... mm 250

Screed plate thickness..... mm 10

Heating ..... electric

Crown ..... % -2,0 ... +4,0

Tamper frequency..... Hz max. 30

Vibration frequency ..... Hz max. 60

Basic weight (TV/V) ..... kg 790 / 700

Max. working width..... mm 3400

### Filling capacities

Fuel..... l 80

Hydraulic oil..... l 60

## Standard Equipment

### Operator compartment

- Dashboard protection
- Digital display for machine management
- SIDEVIEW with a double steering and travel joystick

### Tractor

- ECOMODE
- Push rollers
- Separate control of hopper wings
- 2 proportionally controlled and reversible wear-resistant cast augers; screw blades separately replaceable
- Rubber track pads

### Screed

- Screed temperature control
- Mechanical screed lock
- Crown adjustment
- Side control of auger/scrapper belts

### Other

- Tools
- Three phase Generator

### Hopper

- Viewing tunnel

## Optional Equipment

### Operator compartment

- Two platform concept

### Tractor

- Integrated cleaning kit
- Asphalt steam extraction
- Optional paint finish
- Biologically degradable hydraulic oil
- Hydraulic, height adjustable auger
- Track scraper
- Direction rod
- Ultrasonic sensors for auger control

### Screed

- Hydraulic crown adjustment
- S 200 extensions: 350 mm
- S 200 extensions: 600 mm
- MAGMALIFE Aluminium heating plates
- Heated side plates
- Reduction shoes

### Levelling systems

- L.C.S. Screed relief and traction increase system
- Height and cross-slope sensing by means of ultrasonic or mechanical sensors

### Other

- Fleetmanagement BOMAG TELEMATIC
- LED working lights
- Sunroof
- Joblink data interface

### Hopper

- Hydraulic side flap

