

PERFORMANCE DATA

PAVER (STAGE V)

BF 800 C-2



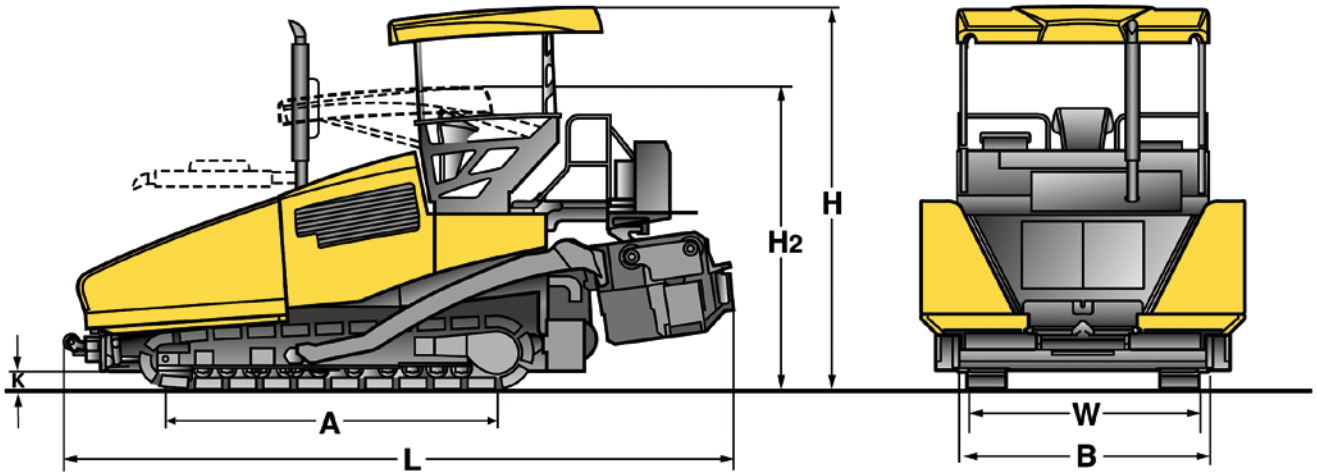
Greatest durability



Shorter set-up times



Exemplary efficiency



Dimensions in mm

| | A | B | H | H₂ | L | W |
|------------------------|----------|----------|----------|----------------------|----------|----------|
| BF 800 C-2 S500 | 3360 | 2550 | 3865 | 3055 | 6800 | 2226 |
| BF 800 C-2 S600 | 3360 | 3000 | 3865 | 3055 | 6800 | 2226 |

Frachtangaben in m³

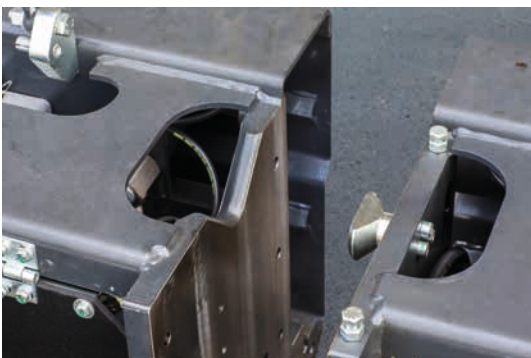
| | |
|------------------------|--------|
| BF 800 C-2 S500 | 41,969 |
| BF 800 C-2 S600 | 43,423 |



Save up to 17 % fuel – demand-driven hydraulics – with BOMAG ECOMODE.



Heats up nearly 60 % quicker – unique MAGMALIFE heating system.



Attaching is up to 48 % quicker – thanks to the BOMAG QUICK COUPLING SYSTEM.



The right position in each situation – the comfortable driver's cabin.

Technical Data

BOMAG BF 800 C-2

Weight CECE

With S 500 screed / with S 600 screed kg 23000 / 23500

Dimensions

Transport length mm 6800
Transport width mm 2550 / 3000
Transport height mm 3020

Travel characteristics

Travel speed (1) km/h 0-4
Working speed (1) m/min 0-25

Drive

Engine manufacturer DEUTZ
Type TCD 6.1 L06
Exhaust classification..... Stage V / TIER 4f
Cooling Water
Number of cylinders..... 6
Rated power ISO 3046..... kW 140
Speed min⁻¹ 2000

Crawler assembly

Crawler track
-Axle base mm 3360
-Width..... mm 300

Hopper

Capacity m³ 7,2
Width (wings open)..... mm 3390
Width (wings closed)..... mm 2463
Length mm 2186
Filling height (middle) mm 560

Scraper belt

Number 2
Width mm 400
Speed min⁻¹ 64
Individual control..... Serie
Reversing operation Serie

Conveyor auger

->Number 2
->Auger diameter mm 400
->Rotary speed min⁻¹ 104
->Reversing operation..... Standard

Screed

Screed type S 500 / S 600
Screed type S 500 / S 600
Basic width retracted mm 2550 / 3000
Basic width extended..... mm 5000 / 6000
Max. working width mm 9000 / 10000
min. width with reduction skids mm 1800 / 2300
Mat thickness mm 300
Smoothing plate depth..... mm 400
Smoothing plate thickness..... mm 15
Heating Electric
Crown % -2,5 ... +4,5
Tamper frequency..... Hz 0-29
Vibration frequency Hz 20-58
Basic weight kg 3900 / 4200

Filling capacities

Fuel..... l 315
Hydraulic oil..... l 160

Standard Equipment

Operator compartment

- SIDEVIEW
- Driver's seat: with swivel and side-shift
- Dashboard protection
- Hydraulic hinged roof
- Digital display for machine Management

Tractor

- ECOMODE
- Separate control of hopper wings
- Cleaning kit
- Hydraulic, height adjustable auger
- Track scraper
- 2 proportionally controlled and reversible wear-resistant cast augers, screw blades separately replaceable
- 2 independent and reversible scraper belts, high-wear resistant plates
- Rubber track pads

Screed

- L.C.S. Screed relief and traction increase system
- Screed temperature control
- MAGMALIFE Aluminium heating plates
- MAGMALIFE Automatic screed heating
- Hydraulic screed lock
- Crown adjustment
- Side control of auger/scraper belts

Other

- Tools
- 8 work lights
- 30 kVA generator
- Socket 2 x 240 volt

Optional Equipment

Operator compartment

- Hydraulic/electric movable SIDEVIEW platform
- Windscreened platform
- Lateral Weather protection
- Comfort seat
- Seat heating
- Asphalt steam extraction

Tractor

- LED roof working lights
- Central lubrication system
- Optional paint finish
- Biologically degradable hydraulic oil
- Hydraulic hopper front flap
- Dampened push rollers

Screed

- Hydraulic sideplates
- Hydraulic crown adjustment
- Hinged side plates
- Heated side plates
S 500 + S 600 extensions: 250 mm, 500 mm, 750 mm, 1250 mm
- Dosing plates
- Reduction shoes
- Edge shaper 45°/60°

Levelling systems

- Height and cross-slope sensing by means of ultrasonic or mechanical sensors

Other

- Fleet management BOMAG TELEMATIC
- Ballon light

